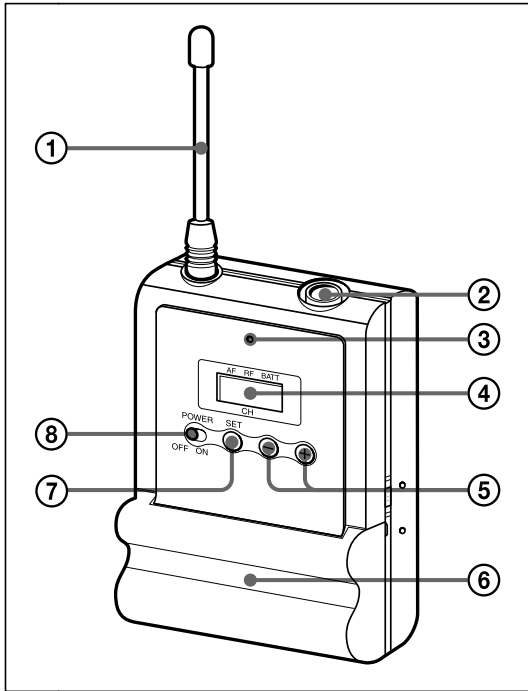
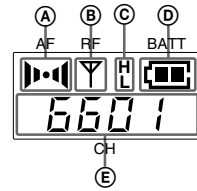


# WIRELESS LAPEL MICROPHONES

## Body-pack transmitter (UTX-B1)



1	antenna
2	lapel mic input connector
3	power indicator
4	display section
5	<b>+ (+ selection) / - (- selection/ reset) buttons</b> Press these buttons to set the transmission channel, frequency, or attenuation level of the input signal. The “-” button resets the accumulated battery use time to “00:00”.
6	battery compartment
7	<b>SET button - press to change and enter display parameters</b>
8	power switch



The ⑤ channel indication for U66 model is shown.

### ① AF (audio frequency) indication

Appears whenever the input audio signal is stronger than the reference level.

### ② RF (antenna output) indication

Appears during signal transmission from the antenna.

### ③ RF (antenna output) level indication

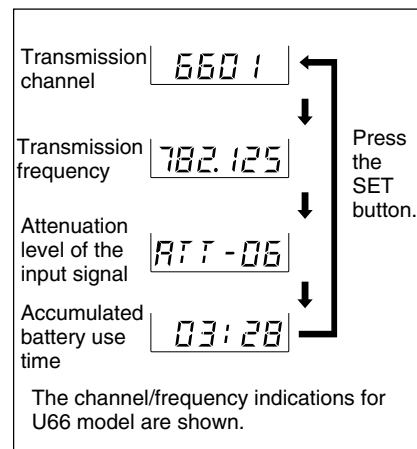
Shows the RF output level setting.  
*For details, see “Setting the RF output level” on page 42.*

### ④ BATT (battery) indication

Shows the battery condition.  
*For details, see “Power Supply” on page 30.*

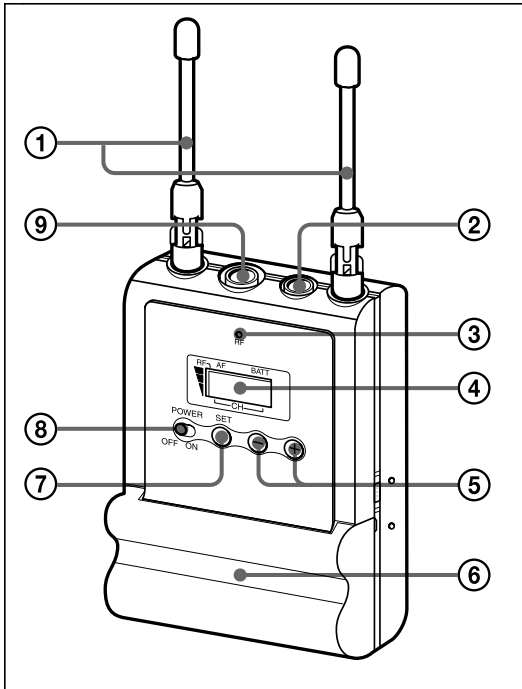
### ⑤ CH (channel) indication

Shows the transmission channel. Each time you press the SET button in transmission mode, the channel indication changes as follows.  
*For details, see “Settings” on page 38.*

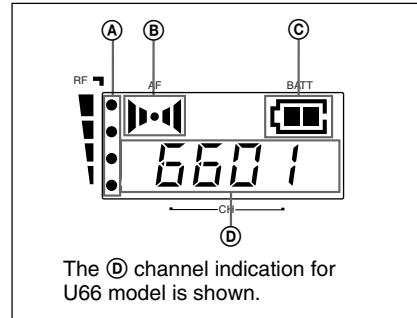


# WIRELESS LAPEL MICROPHONES

## Portable diversity tuner (URX-P1)



1	antenna
2	lapel mic input connector
3	power indicator
4	display section
5	<b>+ (+ selection) / - (- selection/ reset) buttons</b> Press these buttons to set the transmission channel, frequency, or attenuation level of the input signal. The “-” button resets the accumulated battery use time to “00:00”.
6	battery compartment
7	SET button - press to change and enter display parameters
8	power switch
9	audio output connector



**Ⓐ RF (radio frequency) indications**

The number of dots indicates the RF input level.

**Ⓑ AF (audio frequency) indication**

Appears whenever the output audio signal is stronger than the reference level.

**Ⓒ BATT (battery) indication**

Shows the battery condition.  
*For details, see “Power Supply” on page 30.*

**Ⓓ CH (channel) indication**

Shows the reception channel. Each time you press the SET button, the channel indication changes as follows.  
*For details, see “Settings” on page 38.*

